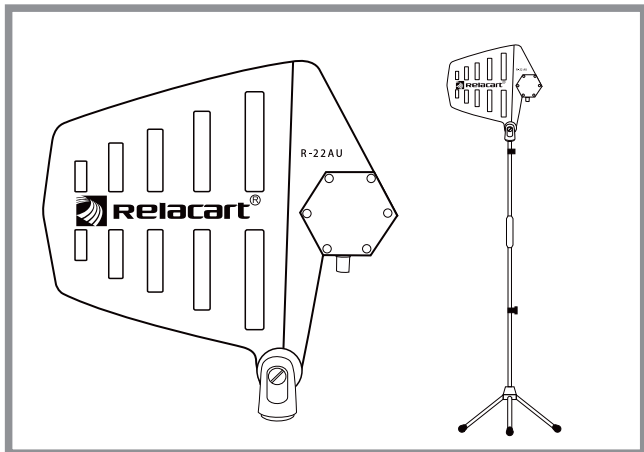


# R-22AU

## Directional Antenna



### R-22AU Directional Antenna



### Introduction:

R-22AU has reliable and durable characteristic, can get best receiving effect at its cover area. Its gain set can amplify and strength receiving signals. R-22AU can be fixed at microphone rack, or suspend on the top ceiling, or fixed on the wall with integrated rotatable rack.

### Key Features:

- R-22AU is directional antenna that can improve the signal receiving ability, while R-22AU adds low noise signal amplification function and has stronger receiving ability.
- Can be used with Relacart wireless receiver and antenna distribution system;
- Light and ingenious appearance and structure, convenient to carry and erect.

### Specifications:

Frequency range : 640-950MHz

Antenna directionality : Cardioid

Antenna polarization mode : line

Antenna gain :  $\geq 6\text{dB}$

Antenna SWR :  $< 2$

Amplifier gain : 5 to 13dB

Amplifier low noise :  $< 1.8\text{dB}$

Amplifier OIP3 :  $> 32\text{dBm}$

External power supply : BNC , 8-12VDC

Current : 40mA

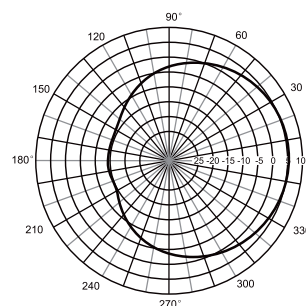
Connector : BNC

Dimensions ( mm ) : 258\*263\*1.6

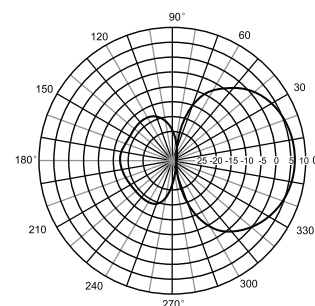
Weight ( g ) : 220

### Direction Diagram :

Typical Horizontal Pattern

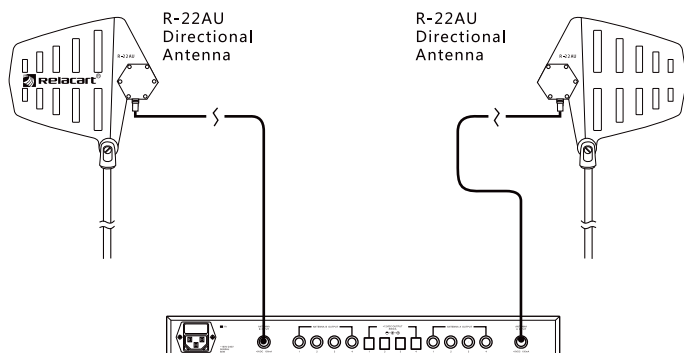


Typical Vertical Pattern



### Install:

- Antenna can connect receiver or antenna distribution system with any 50Ω low loss concentric cable
- Only can be used on receiver and antenna distribution system with antenna power supply function
- Antenna must face to its cover scope



### Antenna's install and use:

#### Attentions when fix the antenna:

Antenna and receiver must with same frequency band  
Antenna should be away at least 1.2 meter from other antenna.

Antenna should be far away with interference source (such as large volume metal objects)

Adjust the position of the antenna to avoid any obstacles between antenna and transmitter.

#### Important notice:

Move around to test signal's cover effect before use the antenna, adjust antenna and find its best position with best effect.

Mark the "dead spots" and let performers avoid it.

