

Quick Start Guide

To download a PDF copy of the Stream Deck + Quick Start Guide, click [here](#).

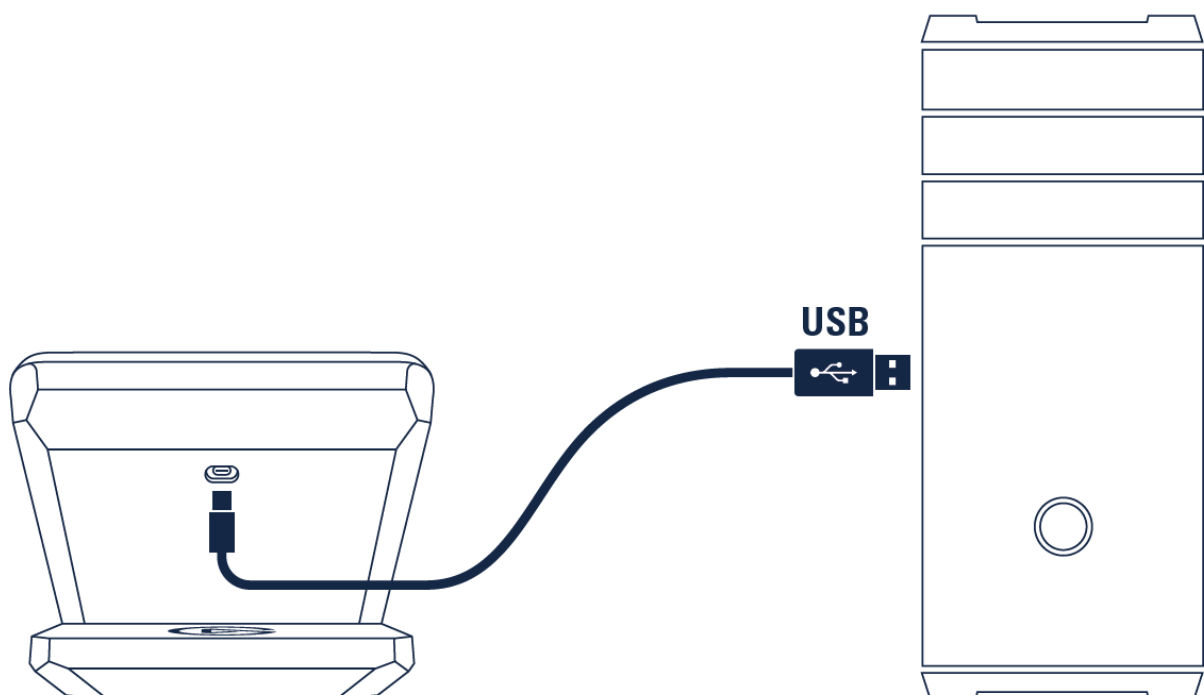
Setup Steps

1) Download and install Stream Deck 6.0 or later from elgato.com/download



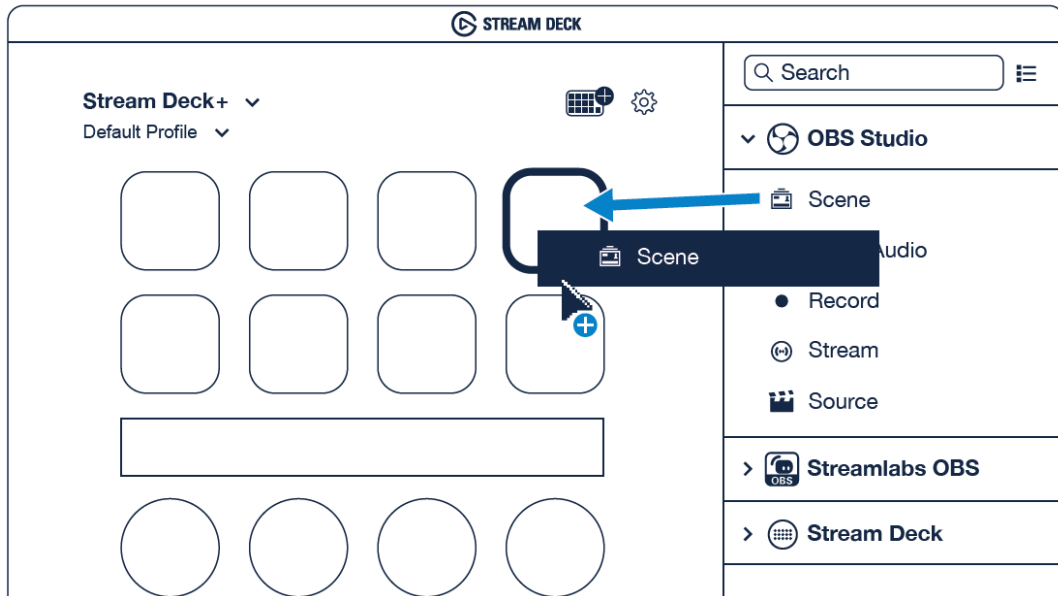
2) Connect Stream Deck + to a USB port on the computer.

Do not use a USB hub.



Setup Actions

1) In the Stream Deck software, drag actions from the category onto a key or dial.



Wave Link

Introducing Elgato Wave Link - Software Overview



Get access to Wave Link for powerful audio mixing and processing via VST audio effects. To get started with Wave Link, click [here](#).

Personalize Keys

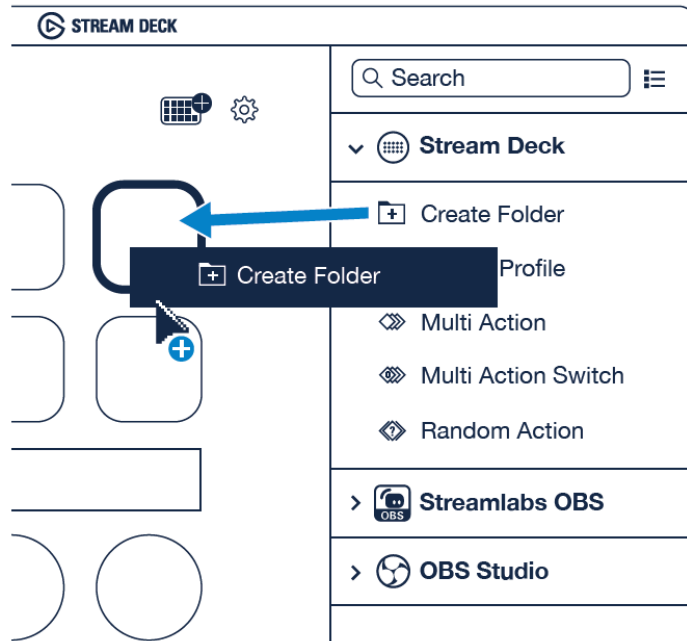
With a key selected, right-click on the icon to customize.

For best results, use 144x144 pixel png or jpeg images.



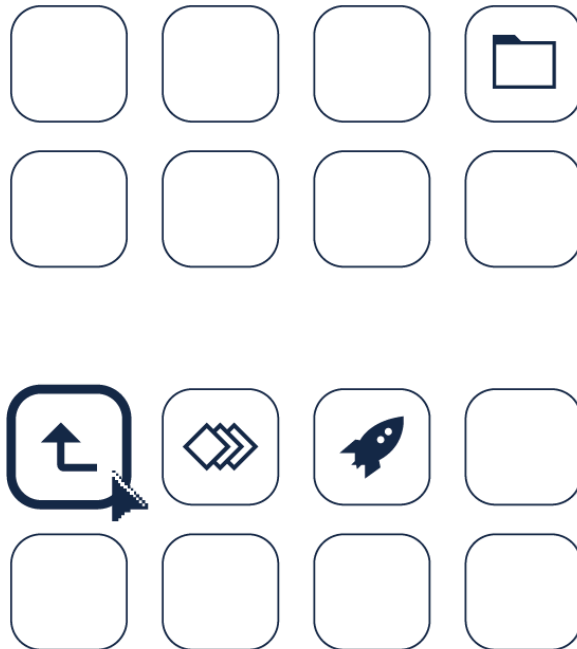
Create Folders

To create a folder, drag the Create Folder action onto a key, or right click on a key and select Create Folder.



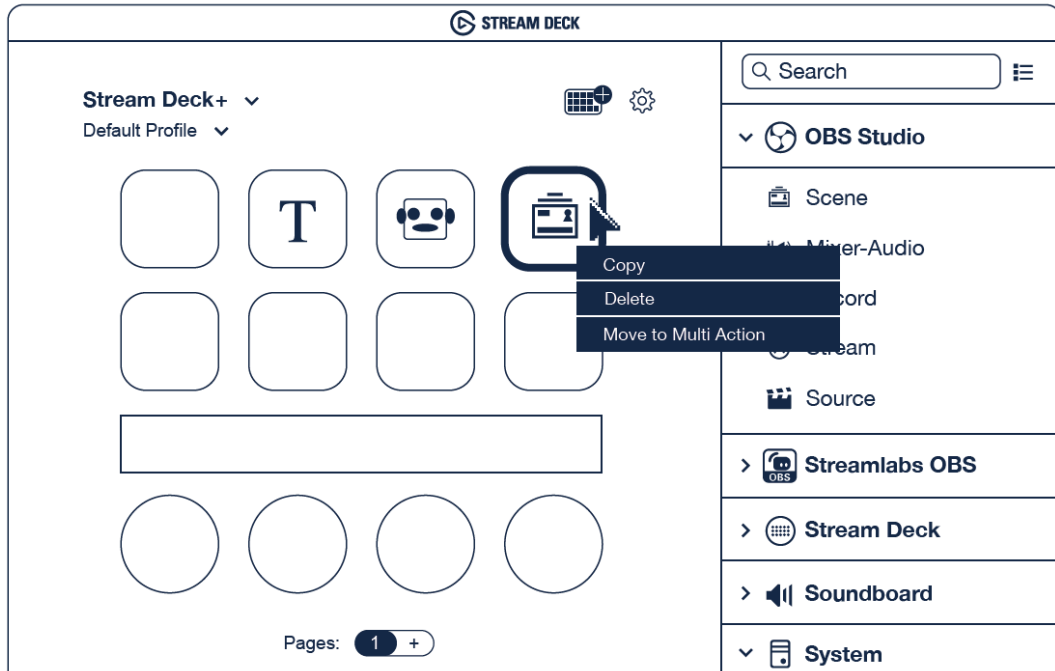
Double-click on the folder to enter it and start customizing additional keys.

Tap the back key to exit the folder.



Edit Keys

Right-click on a key with an action on it for additional options.



Integrate Social Media

You can set up various social media and streaming accounts to expand action functionality.

Open the software settings.



Head over to the accounts tab.

Was this article helpful?